

EMX-4018

Technical Manual



16 BY 4 Matrix Switcher For D.V.R

sysmania 시스매니아

[http://:www.sysmania.com](http://www.sysmania.com)

ISO - 9001

1 - - - - - Page 3

1.

2. (P/L)

3. / /

2 - - - - - Page 4

1.

2.

3. ,

3 - - - - - Page 5

1.

2.

3.

4. EMX-4018

5. CCTV

LAN

6. DVR MATRIX

7.

8.

9.

10.

4 - - - - - Page 8

1.

2.

3.

4. 가 4

?

5.

가 ?

6. OTX-1000

?

7.

8. O.S.D(On Screen Display)

9. O.S.D(On Screen Display)

10. O.S.D

5 - - - - - Page 14

- - - - - Page 15

1.

가



가

AC220V가

가

가 19

가

가

가

가

2.

(P/L)

CCTV

가

A/S가

가

3.

/ /

AC100V ± 10%,

AC220V ± 10%

0 -55

1

-10

-10

8

1.

:

.	-----	1
.	-----	1
. 19"	-----	2
. M4	-----	8
.	-----	1
.	-----	1

+ 19" + M4 8EA

2.

:

[http// : www.sysmania.com](http://www.sysmania.com)
[: 02-2615-3501\(代\)](tel:02-2615-3501)

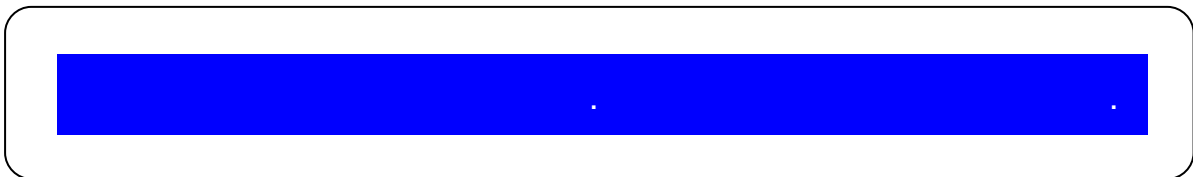
3.

,

:

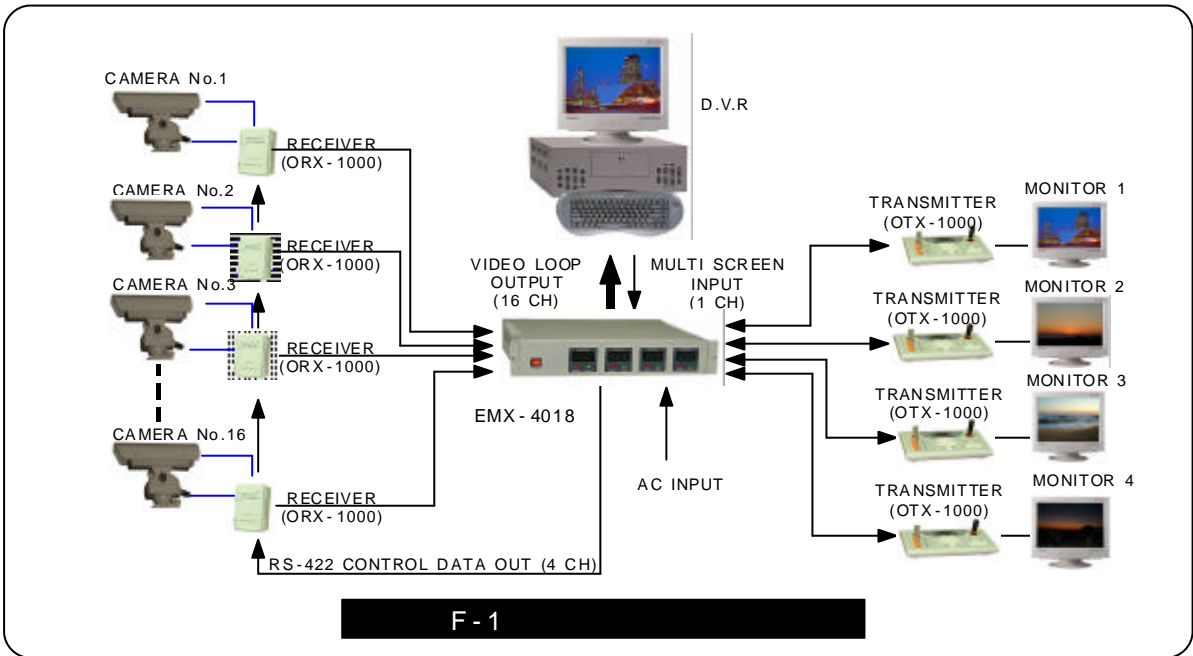
BOX

가

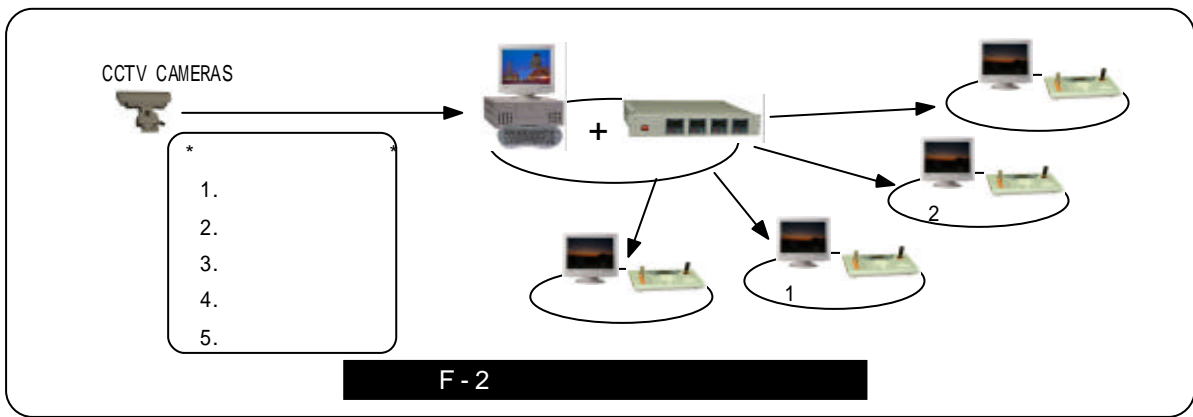


1. : EMX-4018 CCTV MATRIX SWITCHER , D.V.R
 4 (OTX-1000)
 , D.V.R 가 16 BY 4 MATRIX
 SWITCHER . D.V.R CCTV D.V.R
 CCTV LAN, Internet , LAN 100m
 가
 CCTV /
 가
 D.V.R 가 MATRIX SWITCHER
 * : (2002-0038070)

2. : 가



3. : CCTV SYSTEM (OTX-1000) D.V.R
 가



4. EMX - 4018

가. _____

1). D.V.R

- * 가 가 LAN INTERNET
- * 가
- * 4 CCTV
- * D.V.R (GROUP CODE)

2). 가 2 (DVR & MATRIX) _____

- * V.T.R

3). _____

- * / ()
- * OTX-1000
- * _____

D.V.R 3

1). D.V.R

- * D.V.R 2'nd MONITOR 가
- * 1 D.V.R / 가
- * D.V.R 가
- * D.V.R 4 P/T/Z 가 가
- * () CAMERA 가
- * 2 4 가 가

2). _____ / _____

- * D.V.R 2'nd MONITOR 가 가
- * D.V.R CCTV 가 가
- * LAN P/C
- * D.V.R D.V.R
- * D.V.R 가 .(10 SET- 160 - 가)
- * P/T/Z

3). _____

- * 가 LAN 가 , UP-GRADE
- * 가
- * .(.)
- * LAN .(LAN 30%)
- * EMX-4018 , - (OTX-1000) (RACK)가
- * H/W RISK가

5. CCTV

LAN

:

CCTV

CCTV	(LAN)	D.V.R MATRIX : EMX-4018
?	100m (UTP CABLE - EIA)	1 Km ()
?	, , LAN	TV , OTX-1000
?		
?	()	(0)
?	&	2
?	P/C O/S 가	
?	..	5
?	가	OK
?	!	V.T.R
	(-) (, ,) D.V.R	

6. D.V.R MATRIX

:

D.V.R

가

MATRIX

(2003 12

-

.)

			(OSD)		
EMX series	EMX-2018	19 2 U	가	16 Input x 2 Output	DVR MATRIX
	EMX-4018	19 2 U	0.S.D	16 Input x 4 Output	DVR MATRIX
DMX series	DMX-2018	PCI CARD TYPE	가	16 Input x 2 Output	DVR MATRIX
	DMX-2118	PCI CARD TYPE	0.S.D	16 Input x 2 Output	DVR MATRIX

7.

: CCTV CAMERA

NTSC	PAL/SECAM
/ /	/
* NTSC (0.S.D)	

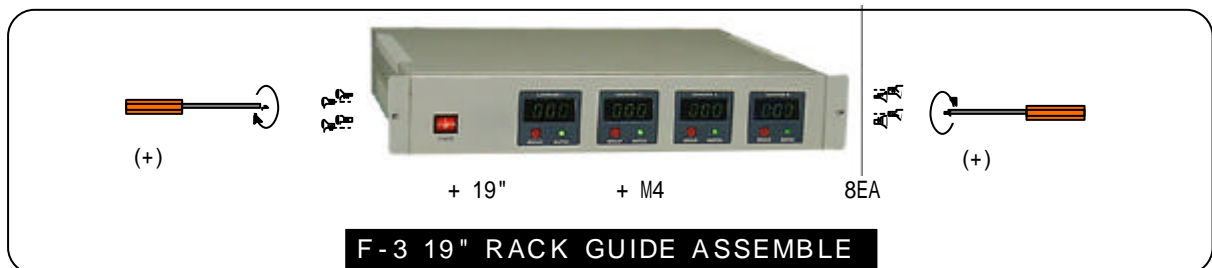
8.

:

D.V.R 19

19

(+)



*

가

9.

(ELECTRICAL SPECIFICATIONS)

RATING		VALUE
POWER INPUT	AC INPUT	AC220V 60Hz /KOREA
	CURRENT	Max. 500mA (FULL)
CONTROL DATA	FORM	EIA RS - 485(422) DAISY CHAIN
	BAUD RATE	2,400 BPS(FIXED)
	Max. DISTANCE	Max. 5Km (1:1 TWISTED CABLE)
	CONNECTION	5mm PITCH TERMINAL BLOCK
	CONFIGURATION	SIMPLEX
C.P.U	u - COM	PIC16C74/EACH CHANNEL
	MAIN CLOCK	4MHz
DATA	IN/OUTPUT	RS - 485(422) SIMPLEX / 2CH
	IMPEDANCE	50 ohm / EACH CHANNEL
	INTERCEPT	FIRST TO LAST (TX1 TO TX4)
	OUTPUT	SELECTED 1 : 4 CHANNEL
	INTERFACE ACCESSORY	ANY "TSB" SERIES
VIDEO INPUT	CAMERA INPUT	75ohm or HI - Z(EACH LOOP OUT), 16CH
	ANOTHER INPUT FEATURE	AUTO HI - Z BY - PASS, 1 CH / EACH CH
	SPECIAL INPUT	MULTI SCREEN OUT OF D.V.R, 75ohm, 1 CH
VIDEO OUTPUT	CONDITION	75ohm 1Vpp
	FORM	NTSC(PAL=Order Made)
	BASIC CHANNEL	4 CH / UNIT
MAIN SYSTEM CONTROL FUNCTIONS	O.S.D	DATE / TIME / ID 16 CHAR.
	CONTROL BY	OTX - 1000
	CAMERA CALL	MAX 16 CH
	PICTURE SEARCH	MASTER - MULTI INPUT, SLAVE - EACH CHANNEL
	BY - PASS	WHEN ADDRESS MISMATCH
OPERATING TEMPERATURE		0 ~ +55
WEIGHT		3.3 Kg
DIMENSION		EIA 2U(483X88X270)
APPROVAL & INSPECTION		CE & ISO - 9001

10.

: (Coaxial Cable)

(RS-422,485)

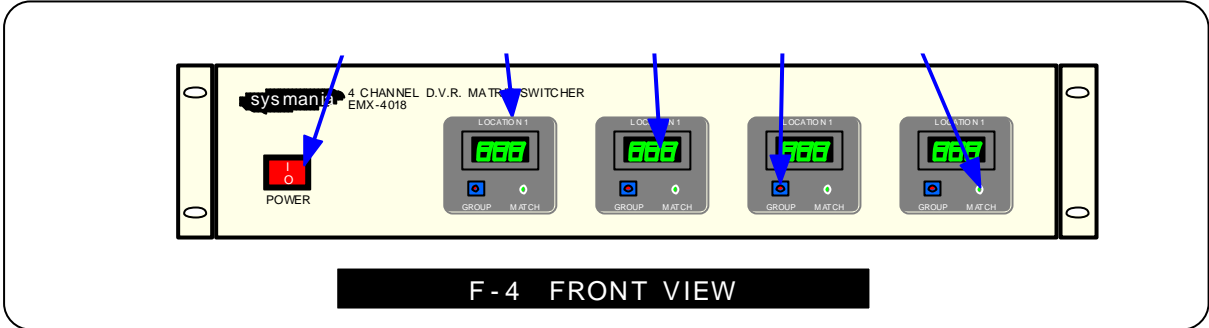
AUDIO

가

(Coaxial Cable)		(Control Data Cable)	
(Standard)	(Max)	(Standard)	
ECX 3C-2V, RG-58,59	180 m (300 m)	AWG 24 SHILD & 2Core Twisted	500 m
ECX 5C-2V	330 m (500 m)	CVV-SB 0.75sq/2C	1.2 Km
ECX 7C-2V	500 m (700 m)	CVV-SB 1.25sq/2C	2 Km
ECX 10C-2V	700 m (1000 m)	CVV-SB 2.0sq/2C	3 Km

* : (,)
Data +,- ()

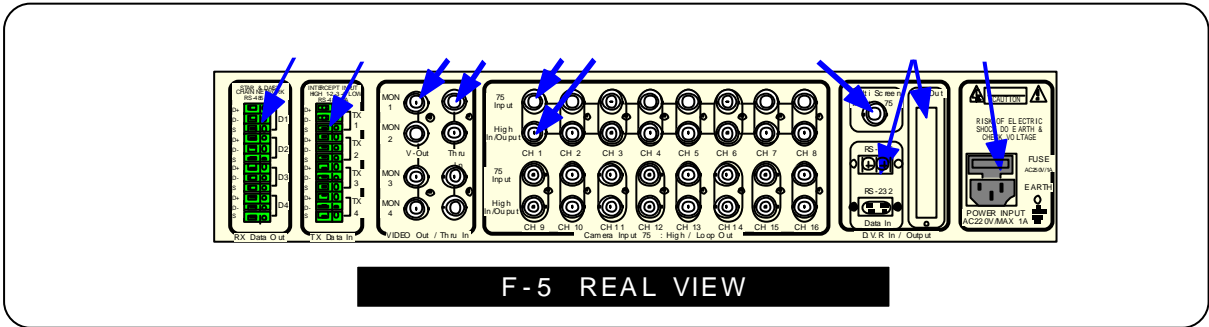
1. : Front



F-4 FRONT VIEW

MAIN POWER SWITCH : ON-OFF
 SITE CONDITION BLOCK : SITE(LOCATION)
 CALL NUMBER DISPLAY :
 CALL GROUP SELECT ROTARY SWITCH : TX 3 (x100)
 10 1 가
 MATCH LED : GROUP CODE가 (MATCH) , LED-ON

2. : /

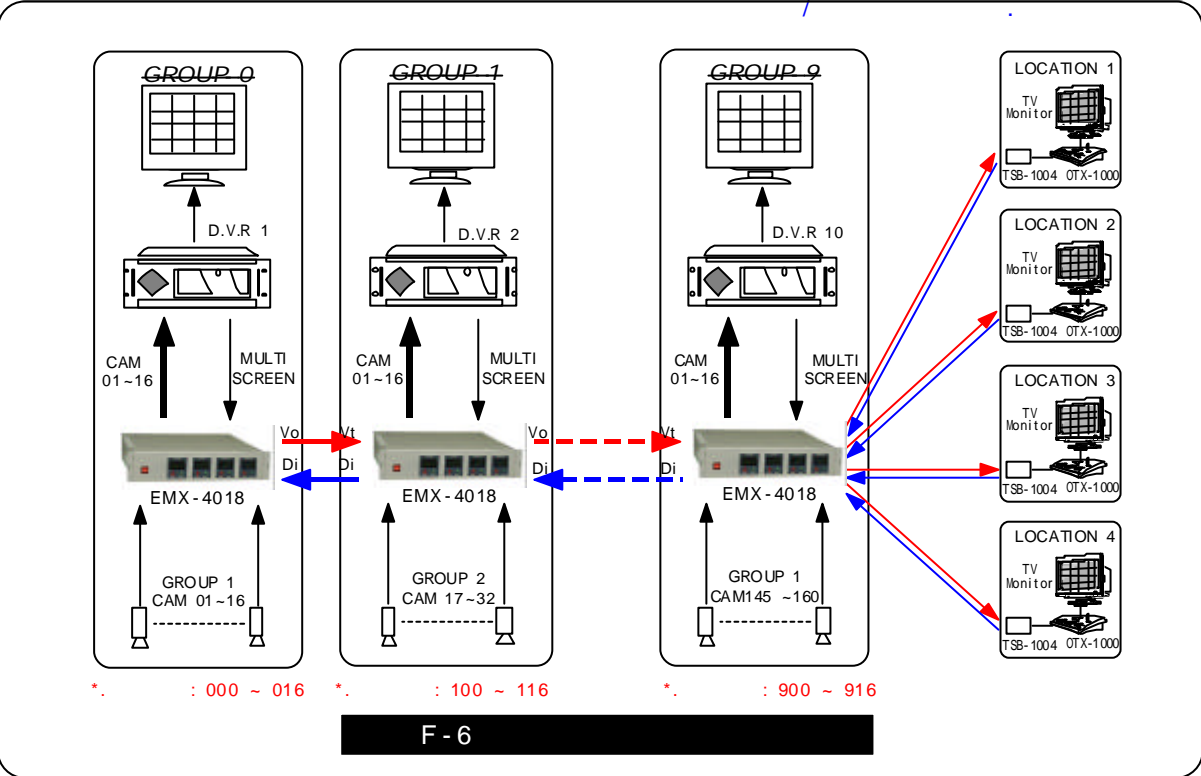


F-5 REAL VIEW

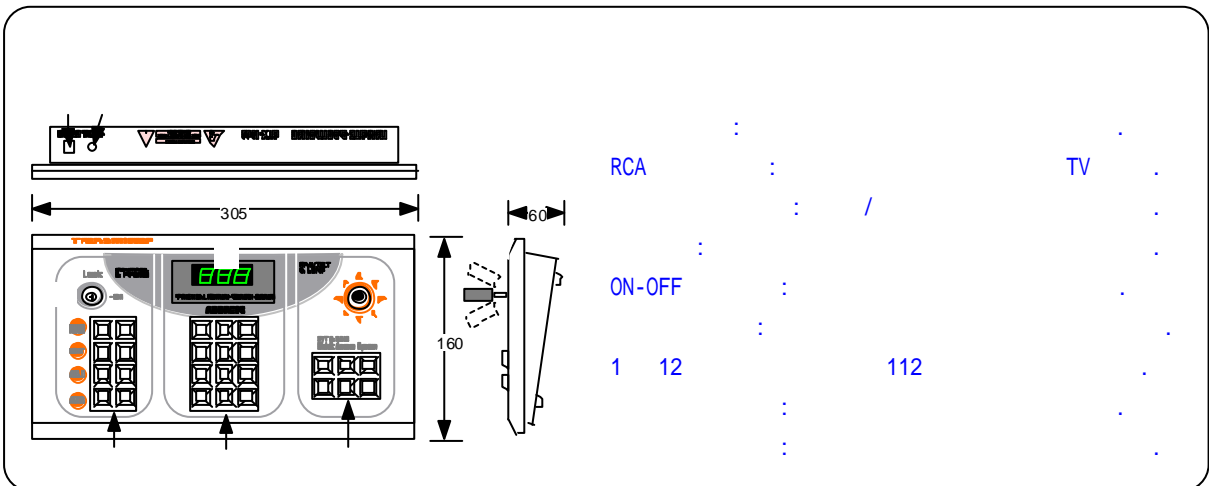
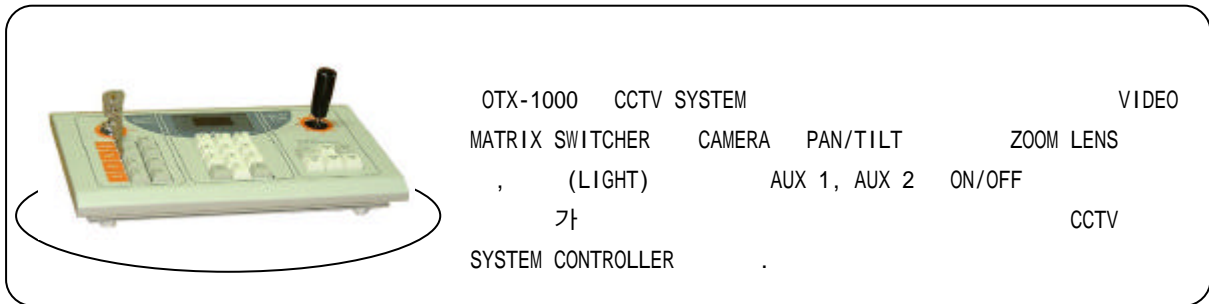
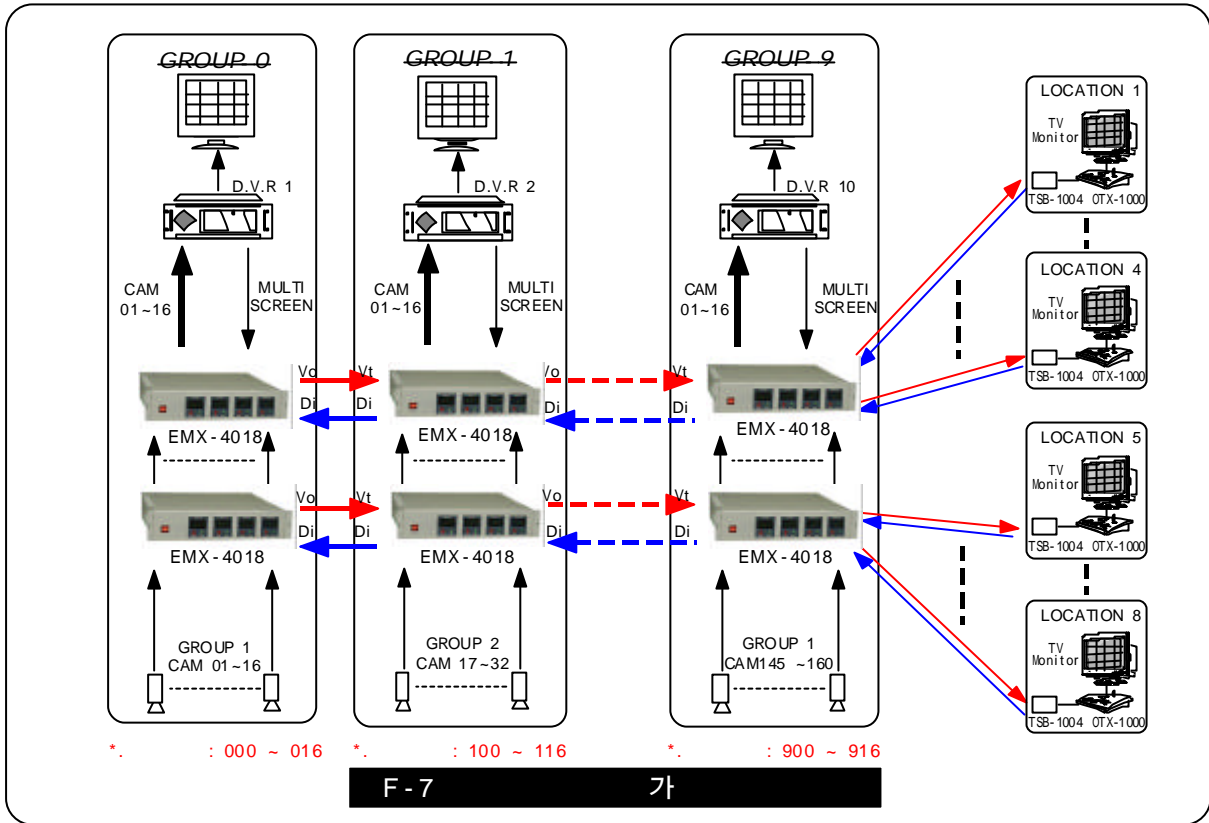
RX DATA OUT : RX (RS-422, TXD)
 TX DATA IN : 4 TX RS-485
 1-2-3-4 가 (INTERCEPT)가
 MONITOR OUTPUT : TX
 THRU INPUT : ()
 CAMERA INPUT : 75 ohm
 HIGH Z IN/OUTPUT : D.V.R VIDEO LOOP OUTPUT "T"
 High-Impedance 가
 MULTI SCREEN INPUT : D.V.R 2'nd Monitor , Master
 Multiplexer Master (Call No: "X00")
 RS-232/485 DATA IN & DIP CONNECTOR TYPE VIDEO OUTPUT(OPTION) : 가
 , D.V.R BNC
 D.V.R PIN
 AC INPUT : AC220V Fuse가

3. BLOCK DIAGRAM / Fuse Fuse가 1

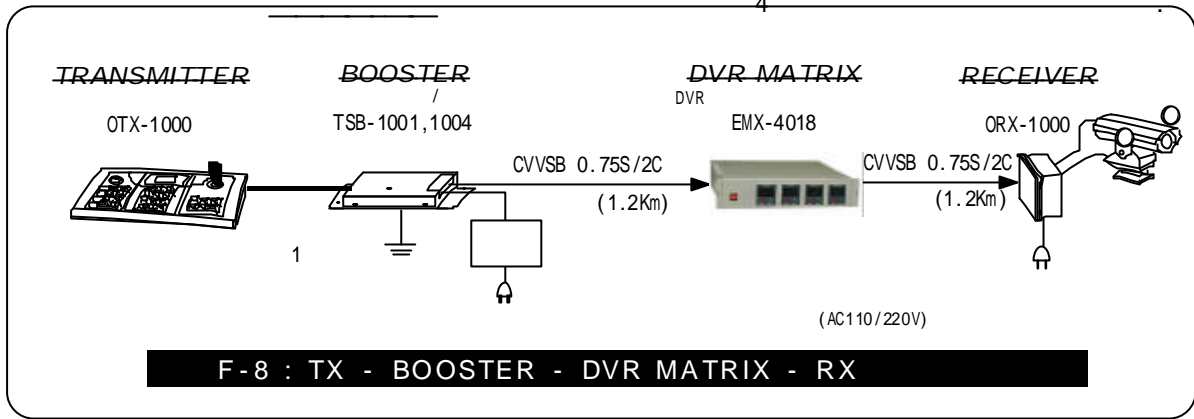
*. 가 : CCTV
- 160 (,)
D.V.R - 16 D.V.R 10
D.V.R -
- , 2 = 4
() -



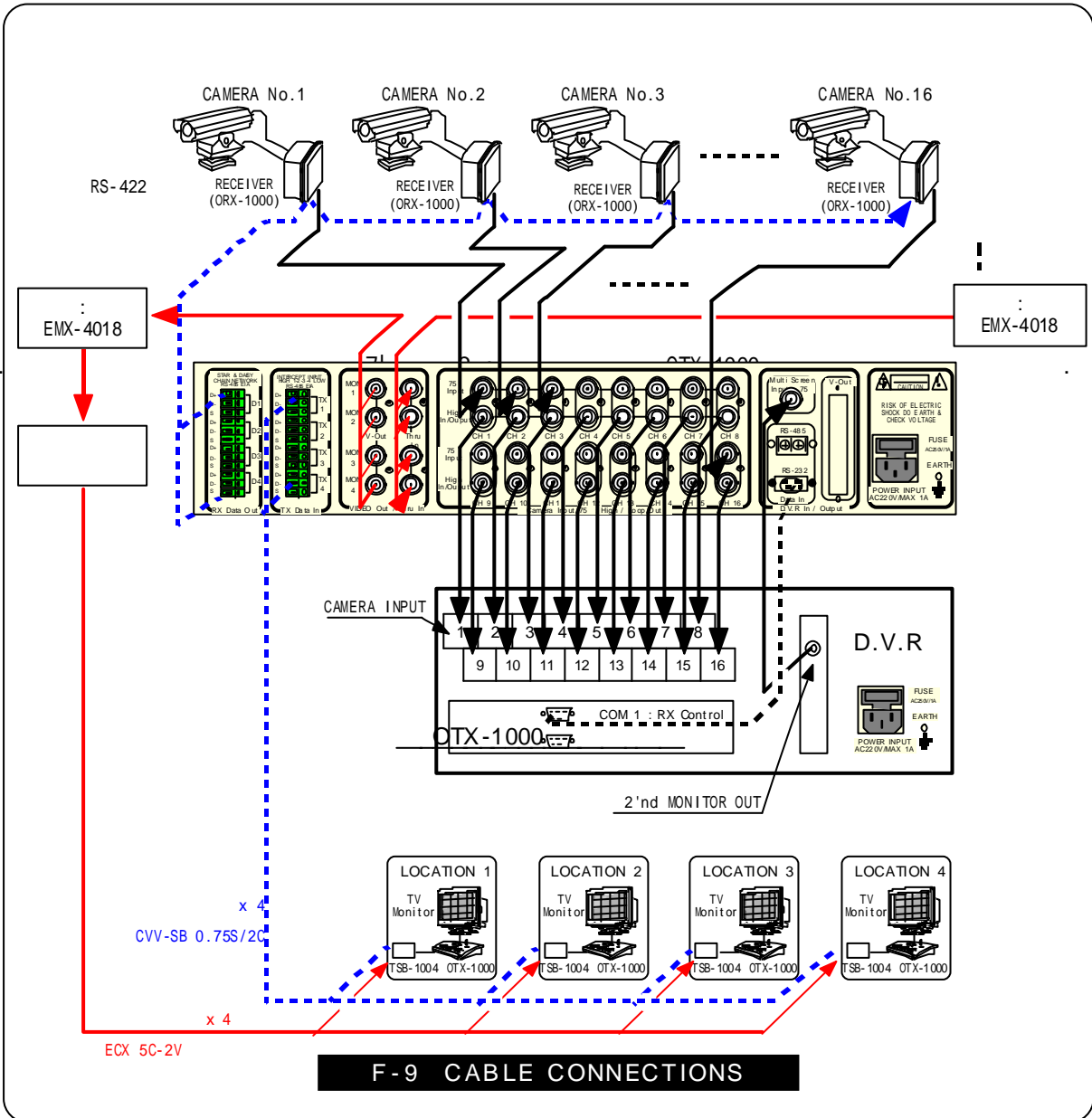
가. 1가 CCTV
TV Monitor
D.V.R
가 (D.V.R)
() 가
LAN
D.V.R 가
. 1 가가



4. 가 4 ? : 4 가



5.



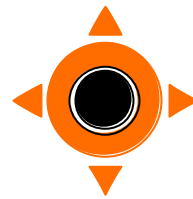
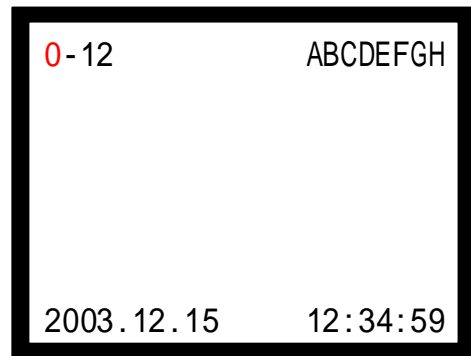
6. OTX-1000

? :

7.

:

.



8. O.S.D(On Screen Display) : (O.S.D)
 (I/D : / / x8) (Time : , , , , ,)
 . OTX-1000
 가 가 .

		I/D		TIME	
		"AUX 1 ON"	3	"AUX 2 ON"	3
		"AUX 1 OFF"		"AUX 2 OFF"	
		"AUX 1- OFF"	3	"AUX 2- OFF"	3

9. O.S.D(On Screen Display) :
 I/D
 TIME . I/D
 가 " CODE + "
 , I/D 가
 . TIME / / -
 / / .
 .(7)

10. O.S.D : OTX-1000

- UP : (CHARACTER CHOICE UP)
- DOWN : (CHARACTER CHOICE DOWN)
- LEFT : (SHIFT LEFT)
- RIGHT : (SHIFT RIGHT)

* 가 (A-Z) , (0-9) .
 * 가 .

* .
 O . S . D !

가 , A/S
 www.sysmania.com (: 02-2615-3501)

		1. FND 가 ? 2. 가 , 가
1.	가 ..!	1. 가 2. (가 .)
2.	!	1. GROUP CODE SWITCH OTX-1000 가 ? MATCH LED ? 2. MATCH LED 가 ? (+,-) ...!
3.	가 가	1. RF 가 , 가 2. DATA BOOSTER ,
		1. OTX-1000 KEY BOARD가 ? 2. P/C D.V.R , 가 ? 3. 가 , D.V.R . 가 / ,
	가	1. BOOSTER LED 2. /
	/	1. MATCH LED 가 (: MATCH LED ON) 2. / BOOSTER EMX / 가 . A/S
		1. ? 2. 가 ... (A/S)
	가	1. 가 . 2. BRACKET, POLE 가 ? 가 /
	!	1. 가 , BNC ... 2. 가 ? ...
		(: WD-40)
	!	1. . D.V.R , 2. (/) .(Isolator) - Isolator (VSI series)

()

A/S

Serial

(1)

A/S

A/S

가

가

DVR Matrix Switcher : EMX-4018

sysmania 시스템네아

http://www.sysmania.com