

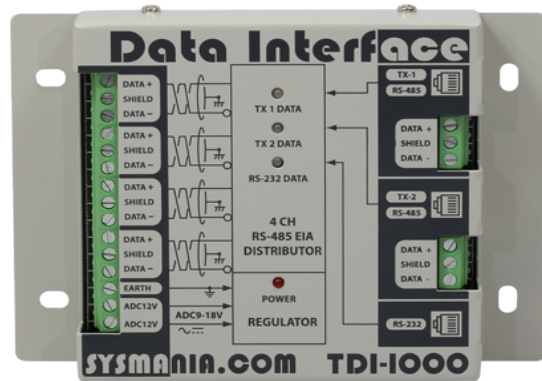
# INSTALL MANUAL

## 시스템 사용 설명서

당사의 자료를 모아 놓으시면 귀중한 현장대책 자료가 됩니다.

# TDI-1000

## Install Manual



1. RS-232 To RS-485 Data Converter
2. Channel Distributor For Field Cable
3. Simplest Control Data Solution for D.V.R

sysmania 시스매니아

<http://www.sysmania.com>

1 - . Page 1

- 1.
- 2. (P/L)
- 3. / /

2 Page 3

- 1.
- 2.
- 3. ,

3 D I - 1000 Page 4

- 1.
- 2.
- 3. RS-485(422)
- 4. DI - 1000

4 Page 6

Page 7

1

1.

가

가



가

2.

(P / L)

OCTV

가

A/S가

A/DC ADAPTER

가

A/DC ADAPTER

3.

/ /

SC-1000

A/DC12V ± 20%

BOOSTER,

1

-10 ~55

-20

-10

/

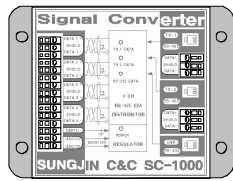
8

2

1.

:

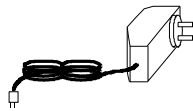
- . DI -1000 - - - - - 1
- . DC ADAPTER (DC12V/300mA) - - - - - 1
- . 232 TO RJ CABLE(EC-25) - - - - - 1
- . - - - - - 1



DI -1000



(EC-25)



DC ADAPTER



2.

:

E-mail

[http // : www .systemania .com](http://www.systemania.com)

[: 02 -2615 -3501](tel:02-2615-3501)

3.

,

:

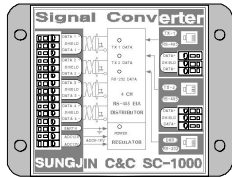
BOX

가



### 3 D I- 1000

1. : DI-1000 CCTV 가  
 Data Signal (RS-232 to RS-485) (4 Channel Distribution)  
 , 가 (Line Interceptor) 가 D.V.R  
 (TX-1000; Desk On Type System Controller)



Signal Converter (DI-1000)

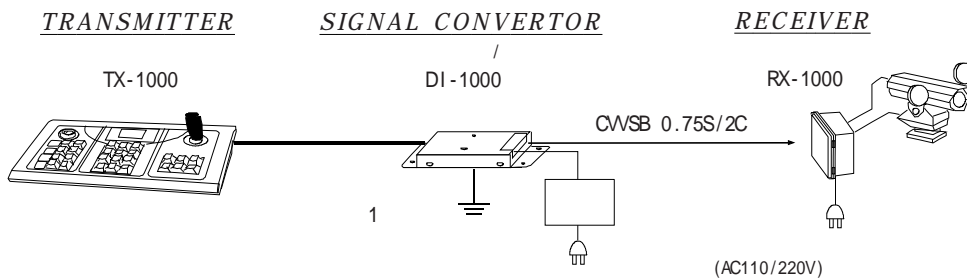
User For....

1. DATA CONVERTING : RS-232 to RS-485(422)EIA
2. DATA OUTPUT LINE DISTRIBUTION : 1 to 4 LINE
3. DATA INPUT LINE INTERCEPTION : 2 Operators(Locations)
4. SURGE VOLTAGE REDUCE & ELECTRIC SHOCK DEFENCE
5. THE SYSTEM CONTROLLER(TX-1000) POWER SUPPLING

**D I- 1000**

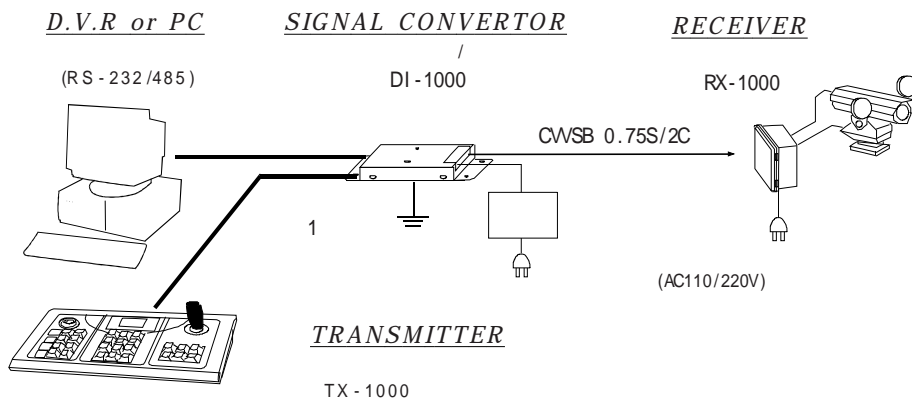
2. : DI-1000 ,

가



**1 : TX - BOOSTER - RX**

\*. 가  
 CCTV



**2 : TX + D.V.R ~ DI-1000 ~ RX**

\*. 1 2 가

3.

RS-485(422)

: Star Daisy Chain

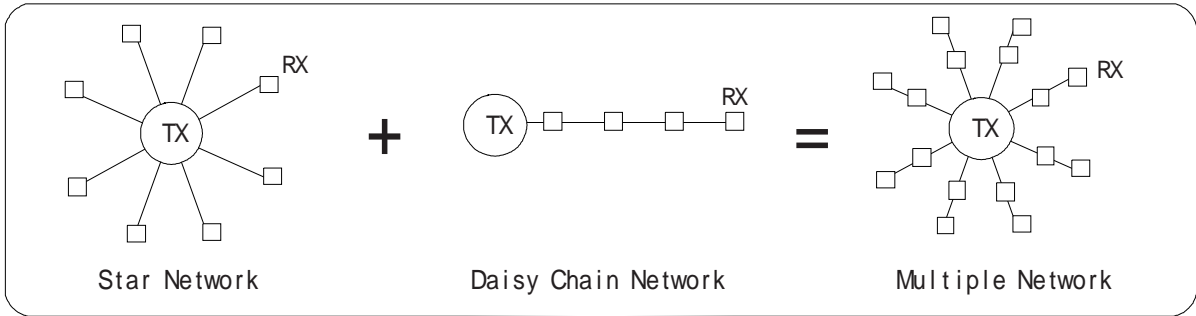
OCTV

D.V.R 1

DI-1000(Data Interface: )

S.D.U

RS-485(422)



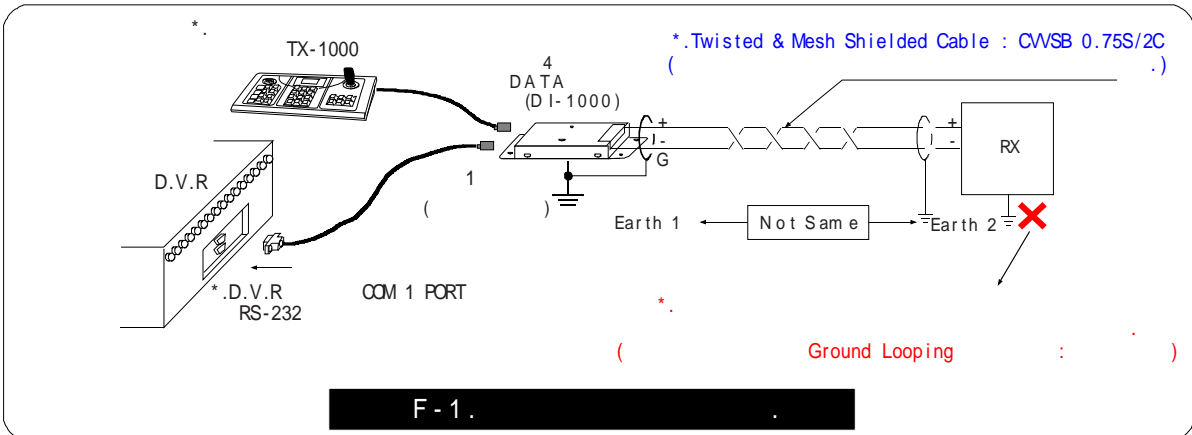
RX : RS-485(422)

1.2km

5km

2,400bps

가



RX :

Daisy Chain

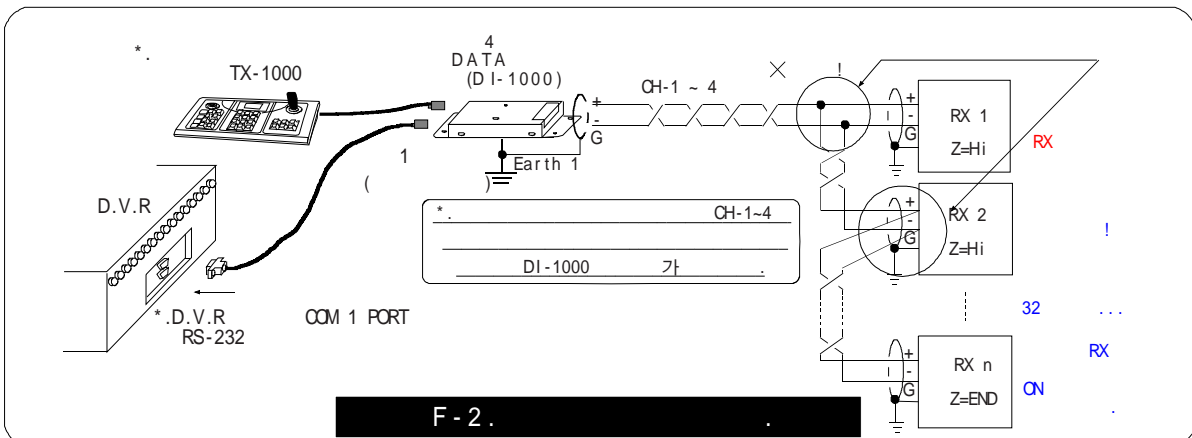
RX

1

32

80

가



### 4. DI-1000

	RATING	VALUE
POWER INPUT	VOLTAGE	AC or DC 12V(± 20%) (No Pol.)
	WORKING VOLT	DC 5V
	CURRENT	Max. 300mA
TELE COMMUNICATIONS INPUTS	INPUT FORM	HALF DUPLEX EIA RS-485 x 2 CH, RS-232 1 CH
	BAUD RATE	2,400 BPS (FIXED)
	Max. DISTANCE	Max. 5Km (1:1 TWISTED PAIR CABLE)
	TX-1000 CONNECTION	6 PIN MODULAR or 5mm Pitch Connection x 2CH
	MODULAR CABLE	5(STD), 18, 30, 50, 100m or ORDER MADE
RECEIVER (RX-1000) CONTROL OUTPUTS	OUTPUT FORM	SIMPLEX EIA RS-422 TXD x 4 CH (LINE)
	Max. DISTANCE	Max. 5Km (1:1 TWISTED PAIR CABLE)
	RX Q'TY per LINE	MIN 32 EA (DAISY CHAIN CONNECTION)
	MIN LOAD IMPEDANCE	50 ohm
OPERATING TEMPERATURE		- 10 ~ + 55
OPERATING HUMIDITY		0% - 90%
WEIGHT		0.5Kg
DIMENSION		305(W) x 160(D) x 60(H) mm
		CE MARK, MIC
		ISO-9001

\* : CE, ISO-9001, ,

### 4 .

가

([www.systemania.com](http://www.systemania.com))

( :02-2615-3501)

A/S

1.		1. DI-1000 LAMP ? LED
2. ...!	가 ..!	2. DATA LAMP ? 3. ?
3. ...!		1. (EC-5) 가 ? 2. 가 ? 3. ?
가	?	1. 가 A/S 가 ..
...		1. 4 A/S

\_\_\_\_\_ ( ) \_\_\_\_\_

A/S

Serial

( 1 )  
A/S,

( , )

A/S

가

가

_____	: Data Interface	_____	: DI-1000
_____	:	_____	:
_____	:	_____	:
_____	:	( ) :	_____

--